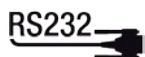
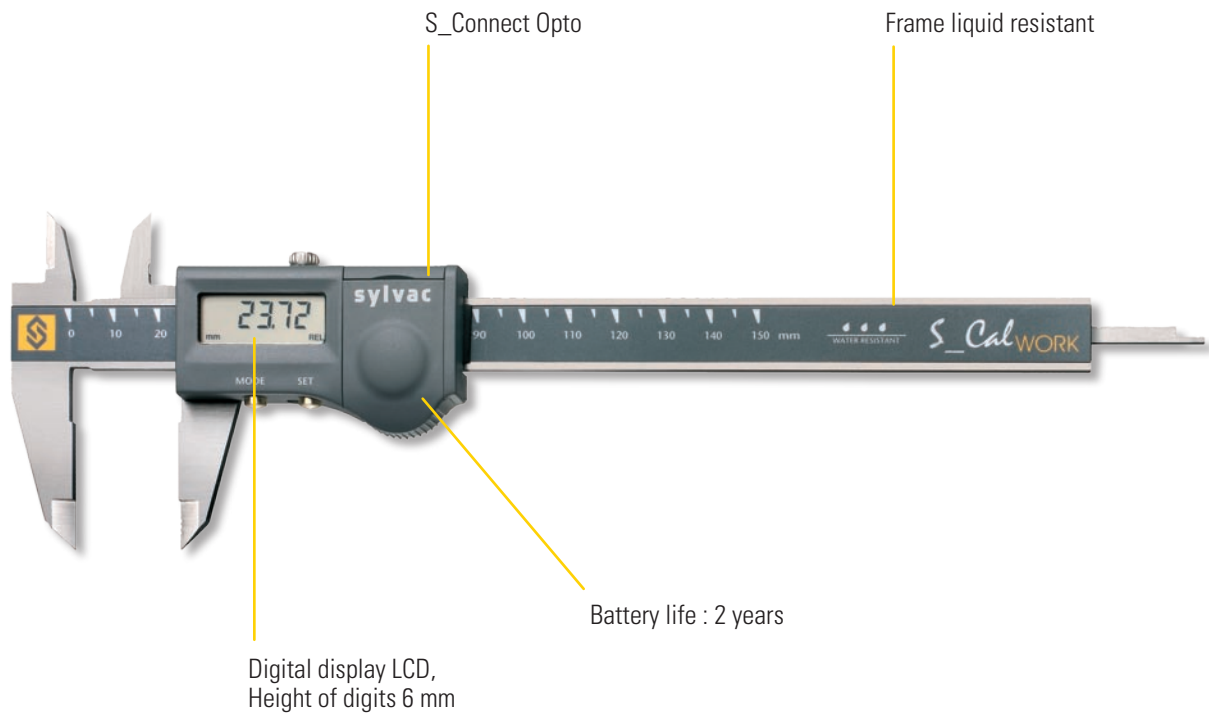


Workshop caliper

S_Cal WORK

DESCRIPTION

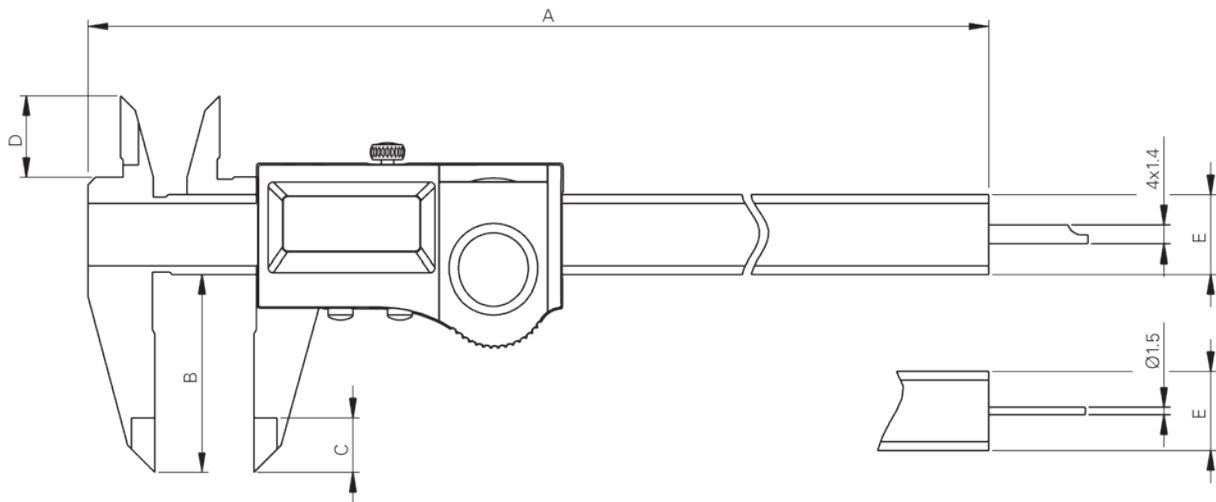
- Maximum velocity of displacement : 2 m/sec
- Mechanical frame in stainless steel, hardened and ground
- Battery life : 5'000 hours continuous
- Automatic switch off mode
- Version with thumb wheel on request



Workshop caliper

S_Cal WORK

DIMENSIONAL DRAWING



TECHNICAL SPECIFICATIONS

		910.0502	910.0507	910.0522	910.0527	910.0532
Measuring range	mm	150	150	200	200	300
Max. Error G	µm	20 ¹⁾	20 ¹⁾	30	30	30
A	mm	233	233	290	290	385
B	mm	40	40	50	50	65
C	mm	10	10	14	14	14
D	mm	16	16	20	20	20
E	mm	16 x 3	16 x 3	16 x 3	16 x 3	16 x 4
Depth rod	mm	4 x 1.4	Ø 1.5	4 x 1.4	Ø 1.5	---
Protection rating according to IEC 60529	IP54 with or without connector					
S_Connect : Opto	USB / RS232 / Digimatic / Wireless ²⁾					
Zero setting	●					
REL and ABS functions	●					

¹⁾ > 100 mm : 30 µm / DIN 862

²⁾ see cables chapter